



## Tru-Loc® Splitter

### Amphenol Industrial Tru-Loc® Splitter for Harsh Environments

Amphenol Industrial introduces a Splitter connector complimentary to its Tru-Loc® family of products. The Tru-Loc® Splitter is designed to take a single 6-Way Tru-Loc® Plug and split the signal or power into two identical 6-Way Tru-Loc Plugs without degradation or intermittency.

The Tru-Loc® Splitter features a molded thermoplastic body resistant to many fluids, including diesel fuel making this series ideal for harsh environments. True to the series, the Tru-Loc® Splitter is vibration resistant to 32 grms, IP67 rated and can withstand operating temperatures up to 150°C. Amphenol's Splitter offers a means to combine many sensors into a single Engine Control Unit. The Splitter effectively branches a single six-circuit connector harness into two individual six-circuit connector harnesses while maintaining a matched impedance of 120 Ohms between the I/O power circuits and CAN circuits. The greatest benefit is being able to put both Power and CAN into a single connector harness reducing the number of connectors and harnesses produced by 2x for the CAN application. Amphenol Industrial offers a 6-Way Plug with contacts for either 16AWG or 20AWG wire and a 6-Way Terminating Resistor Plug - fitted with a 120 Ohm resistor for use at the end of the bus.

#### Features:

- Ingress Protection – IP67 rated
- Gold Plated 1.5mm Pin Contacts
- Resilient up to 32 grms vibration
- Dielectric Withstanding Voltage – 1600 Vac RMS
- Matched Impedance 120 Ohms, 2 pairs
- Operating Temperature -40°C to 150°C

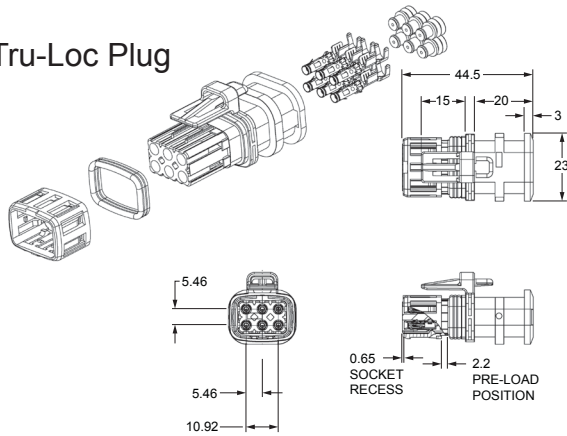


<b>Material Specification</b>	
Plug with RADSOK® Socket Contacts	
Plug Body	Nylon
Wire Seal	Silicone
Main Joint Seal	Fluoroelastomer
Socket Contact	Copper Alloy w/ Stainless Steel Hood
Receptacle with Pin Contacts	
Receptacle Body	Nylon
Pin Contact	Copper Alloy

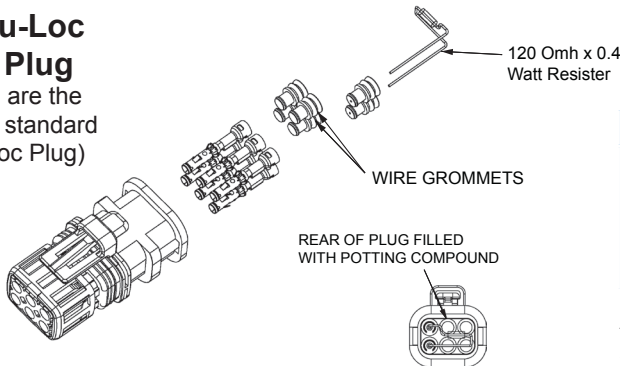
<b>Electrical Specifications</b>	
Dielectric Withstanding Voltage (Test Voltage)	1600 Vac RMS
Current Rating	13 amp (DC) (16 AWG Cable)
Insulation Resistance	100 M Ohms

<b>Mechanical Specifications</b>	
Connector Mating Force	<70 N (15.7 lb)
Contact Retention	Primary Only: 80 N (18.0 lb) Secondary Only: 60 N (13.5 lb)
Vibration	32 g RMS
Operating Temperature Range	-40°/+125°C or +150°C depending on PN;
	100 cycles, 1 hour per cycle
Ingress Protection	IP67
Durability (Mating Cycle)	20 cycles

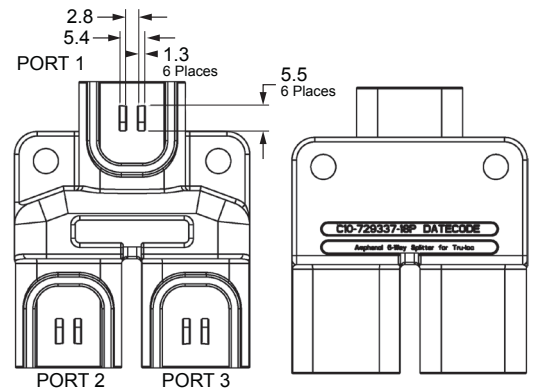
### Plug 6 Way Tru-Loc Plug



### 6 Way Tru-Loc Resistor Plug (Dimensions are the same as the standard 6 Way Tru-Loc Plug)



### Receptacle Tru-Loc Splitter Receptacle for 6 Way Plugs



Part Number	Description
C10-708354-000	Hand crimper with 20-22 AWG Die
C10-708360-000	6 Way Tru-Loc Dummy Plug
C10-708305-000	6 Way Tru-Loc Resistor Plug
C10-708353-000	6 Way Tru-Loc Plug, Gold Contacts for 20 AWG Wire
C10-729337-18P	Tru-Loc Splitter Receptacle for 6 Way Plugs

Ask about our custom matched impedance cable with 2 sets of 20AWG twisted pairs, each rated for 120 Ohms impedance.

For additional information on Amphenol's family of Tru-Loc products, please ask for our Tru-Loc data sheet (IDS-16) or download it from our website in the Data Sheets section.

For further information on your individual application requirements, contact: Amphenol Corporation

North America:  
Amphenol Industrial Operations  
180 N. Freeport Drive, Plant 4  
Nogales, AZ 85621  
Tel: (888) 364-9011  
Fax: (520) 285-5134

Email: tech@amphenol-aio.com

Europe:  
Amphenol Industrial Operations Europe  
Via Barbaiana 5  
1-20020 Lainate (MI) Italy  
Tel: +39 02 93254.204  
Fax: +39 02 93254.444

Email: info@amphenol-aio.com

Middle East:  
Amphenol Middle East Enterprises FZE  
Office C-37 PO Box 21107  
Ajman Free Zone, UAE  
Tel: +9 716-7422494  
Fax: +9 716-7422941

Email: jhussain@amphenol-industrial.com

Asia:  
Amphenol Technology (Zhuhai) Co., Ltd.  
No. 63 Xin Han Road, San Zao Town  
Jin Wan District, Zhuhai City, China 519040  
Tel: +86 756-3989760  
Fax: +86 756-3989768

Email: enquiry@amphenol-aio.com

# Mouser Electronics

Authorized Distributor

Click to View Pricing, Inventory, Delivery & Lifecycle Information:

[Amphenol:](#)

[C10-729337-18P](#)